

PART NUMBER	VERSION	PRODUCT SPECIFICATION	PLATING
95040-2881	STANDARD	PS 95040	2
95040-2889	HIGH TEMPERATURE	PS-95040-688	2
95040-4881	HIGH MATING CYCLES	PS-95040-001	7

**NOTES:**

**1- MATERIAL :**

HOUSING : POLYAMIDE 4/6 GLASS FILLED UL 94V0. COLOUR: BLACK  
89992-0008

**TERMINAL : PHOSPHOR BRONZE PLATED WITH :**

PLATING 2 : 0.00127/.000050 MIN GOLD IN CONTACT AREA,  
0.00190/.000075 MIN TIN IN TAIL AREA,  
BOTH OVER 0.00127/.000050 MIN NICKEL OVERALL

PLATING 7 : POST PLATE 0.00005/.000002 MIN GOLD OVER 0.00076/.000030 MIN  
PALLADIUM NICKEL IN CONTACT AREA 0.00190/.000075 MIN  
TIN IN TAIL AREA BOTH OVER 0.00127/.000050 MIN NICKEL OVERALL.

SHIELD : BRASS PLATED WITH 0.0020/.000078 MIN. TIN

2- P.C. BOARD THICKNESS : 1.57/.062 ±0.15/.006

3- JACK FOR MATING WITH F.C.C. 68 PLUGS  
95043 MOLEX SERIES.

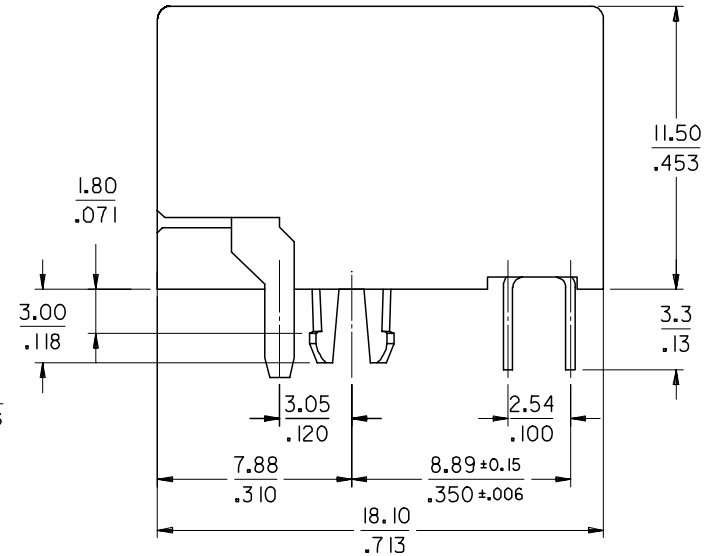
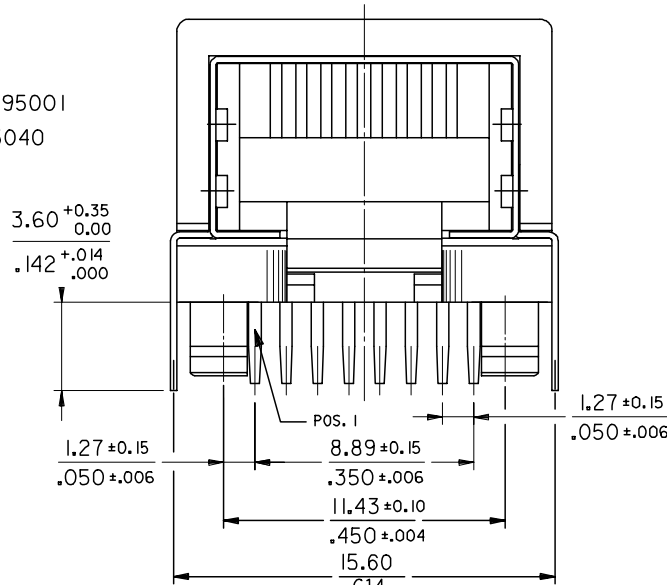
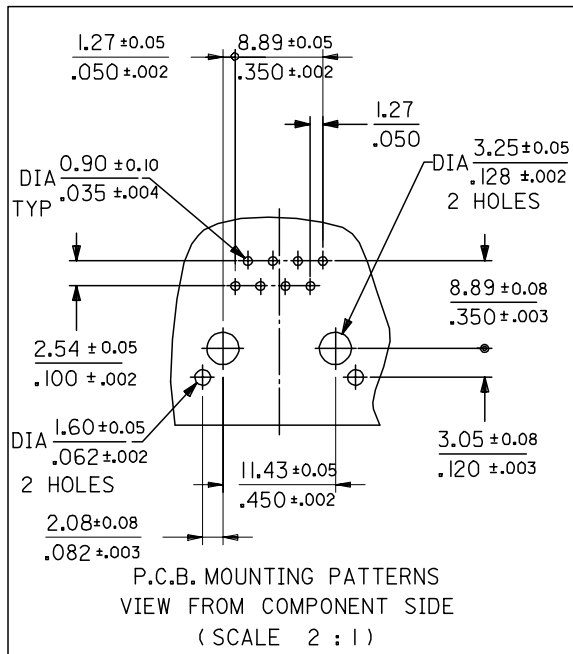
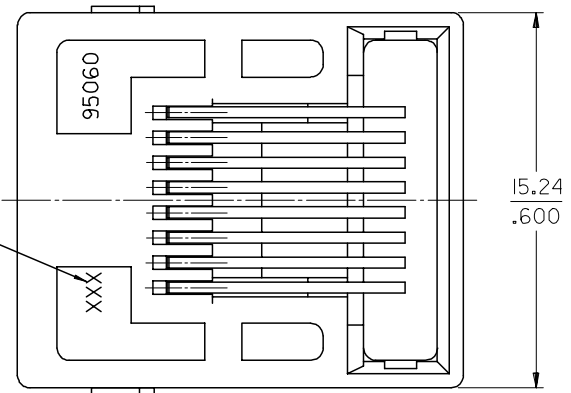
4- PRODUCT SPECIFICATION: SEE CHART

5- APPLICATION SPECIFICATION: MOLEX AS-95001

6- PACKAGING SPECIFICATION: MOLEX PK-95040

7- LOGO MAY BE MXF, MG OR MXI

SEE NOTE 7



MODIFIED SIDE WALLS EC NO: E2007-0681 DRWN:DBRYNES CHKD: APPR:EDMAHONY 2007/02/05 2007/02/05 2007/02/08	QUALITY SYMBOLS ▽=0 ▽=0	GENERAL TOLERANCES (UNLESS SPECIFIED)	DIMENSION STYLE MM/IN	SCALE 5:1	DESIGN UNITS METRIC	THIRD ANGLE PROJECTION															
		<table border="1"> <thead> <tr> <th></th> <th>mm</th> <th>INCH</th> </tr> </thead> <tbody> <tr> <td>4 PLACES</td> <td>± ---</td> <td>± ---</td> </tr> <tr> <td>3 PLACES</td> <td>± ---</td> <td>± .01</td> </tr> <tr> <td>2 PLACES</td> <td>± 0.25</td> <td>± .014</td> </tr> <tr> <td>1 PLACE</td> <td>± 0.35</td> <td>± ---</td> </tr> </tbody> </table>		mm	INCH	4 PLACES	± ---	± ---	3 PLACES	± ---	± .01	2 PLACES	± 0.25	± .014	1 PLACE	± 0.35	± ---	DRAWN BY CB 89/04/12	DATE 89/04/12	TITLE RIGHT ANGLE LOW PROFILE SHIELDED PC JACK (THROUGH HOLE VERSION)	
		mm	INCH																		
	4 PLACES	± ---	± ---																		
3 PLACES	± ---	± .01																			
2 PLACES	± 0.25	± .014																			
1 PLACE	± 0.35	± ---																			
	ANGULAR ±1/2°	CHECKED BY TB 89/04/12	DATE 89/04/12	APPROVED BY JB 89/04/12	MOLEX MOLEX INCORPORATED																
	DRAFT WHERE APPLICABLE MUST REMAIN WITHIN DIMENSIONS	MATERIAL NO. SEE CHART	DOCUMENT NO. SDA-95040	SHEET NO. 1 OF 3																	